



Optical Mount Dimensions

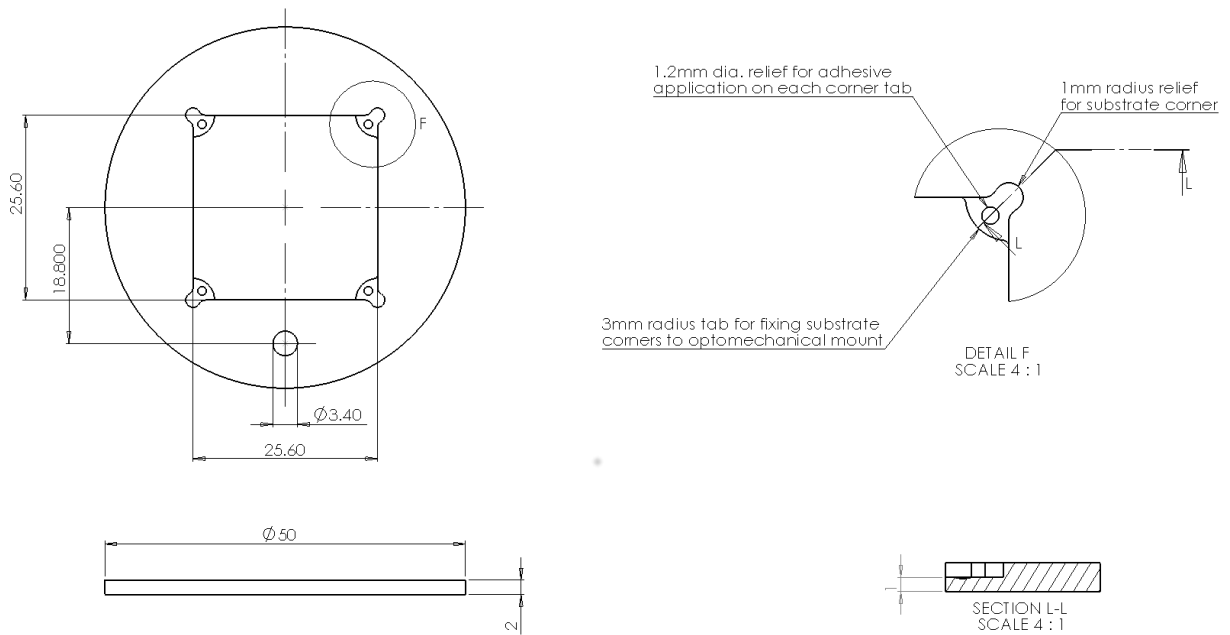
LightForge™ Custom Optic Fabrication Service

Revision 1v0, April 2013



PRODUCT DESCRIPTION

A 2" round interface plate, to fit standard 2" lens mounts is available to buy as an option for purchase with a LightForge™ optic.



If purchased as an option, the interface plate will be shipped with the LightForge™ optic, but the optic will not be mounted.